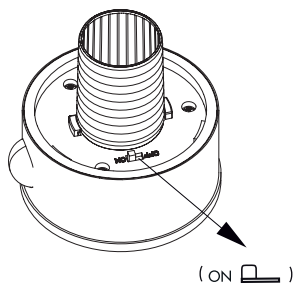


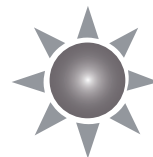
Art.no 481-89

FIRST USE

STEP 1.



STEP 2.



(ON [switch icon])

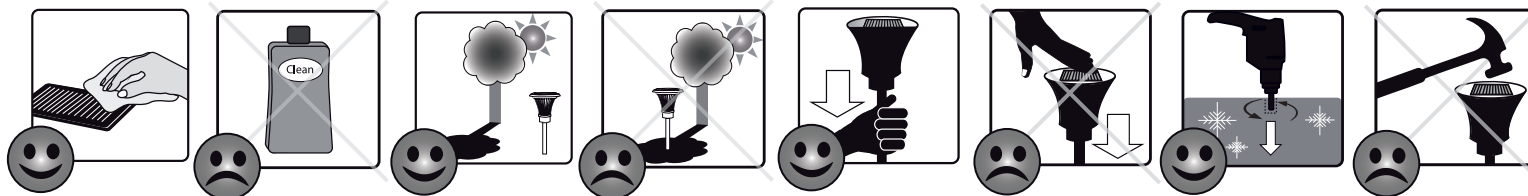
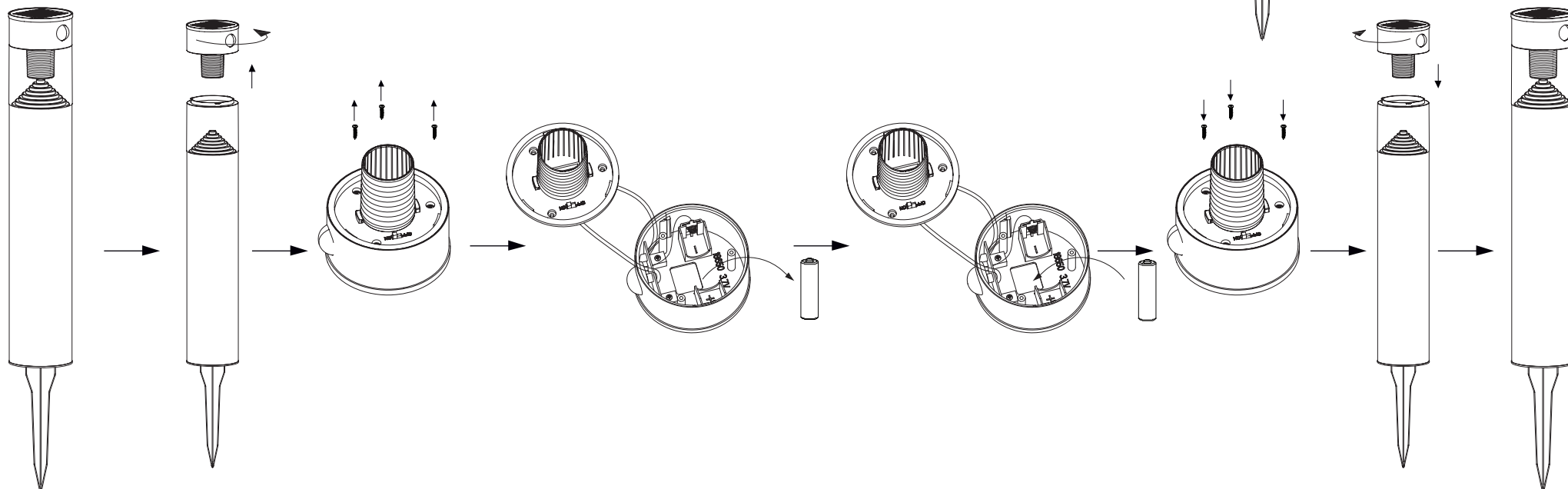


(OFF [switch icon])



Ready after
36 h in the sun

BATTERY REPLACEMENT

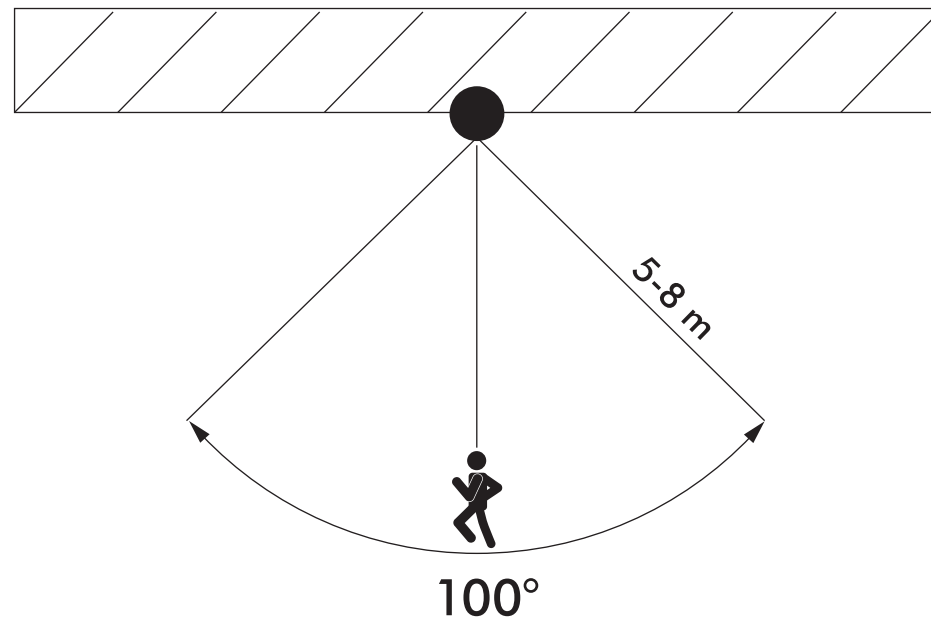
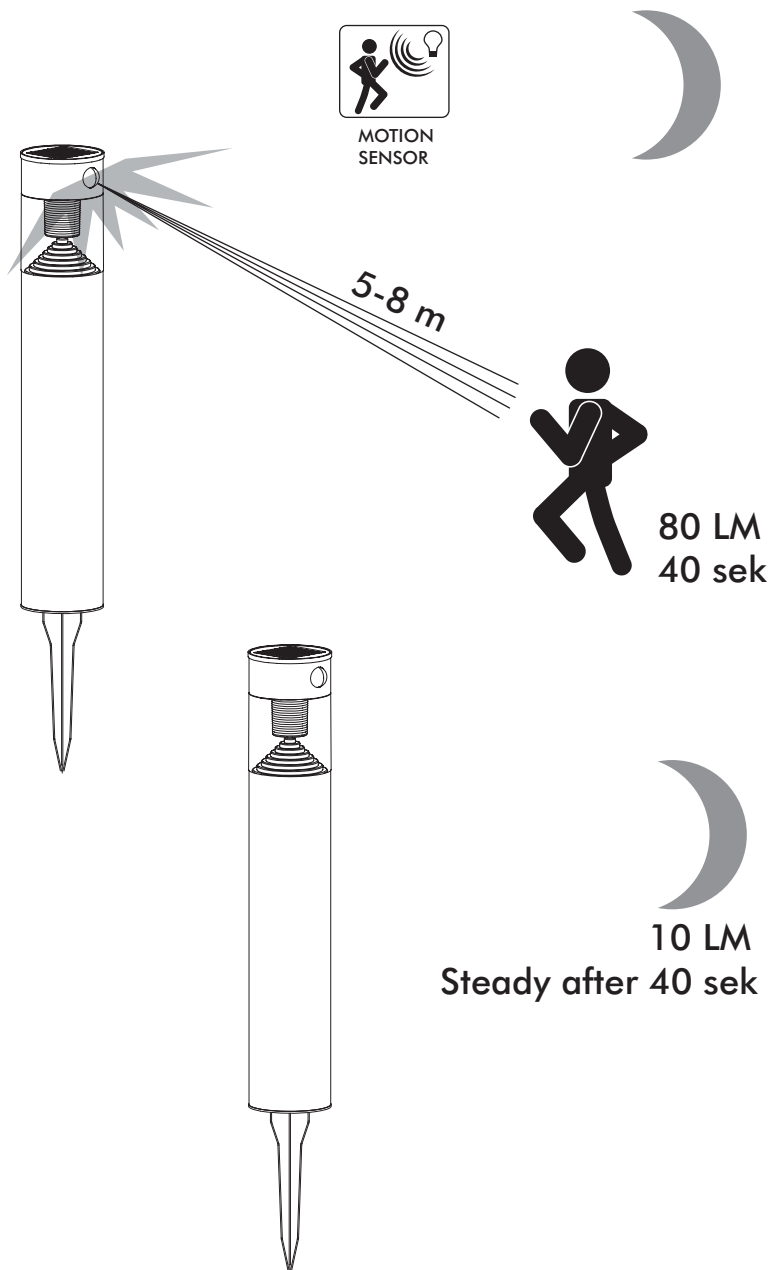


STAR[®]
TRADING
STAR STREET 1
512 50 SVENLJUNGA
SWEDEN
www.startrading.com

Art.no 481-89

10 LUMEN CONSTANT LIGHT

MOTION SENSOR 80 LUMEN FOR 40 SEK



STAR[®]
TRADING
STAR STREET 1
512 50 SVENLJUNGA
SWEDEN
www.startrading.com